

## SUZUKI GSX-R150/S150 TIS FULL SYSTEM GP-MAGNUM

Be sure to read the instruction carefully before starting the work. It is necessary to follow the contents to install Yoshimura product.

- ⚠ CAUTION Before beginning installation, let motorcycle cool down.
- ⚠ CAUTION Be sure not to damage each part during installation.
- ⚠ CAUTION Torque specification must be followed. If neglected, it may cause bolt and nut to fall off and damage to Yoshimura product and motorcycle.
- ⚠ CAUTION Titanium Blue sleeve is colored by anodizing. Handle with care as the color may change. When cleaning silencer, use soft cloth with dish soap but do not use metal polish or chemical cleaner.

### 1. Product Information :

Description	SUZUKI RAIDER R150 TIS Full System GP-MAGNUM	Cyclone Type	S523S77C1
Part Number	Stainless Sleeve (SS) : 1T0A-523-5U50	Main Material	Stainless steel
	Satin Finish Sleeve (ST) : 1T0A-523-5U30	Weight [STD : 3.7kg]	(SS) & (SF) : 2.6kg
	Titanium Sleeve (ST) : 1T0A-523-5U80		(ST) & (STB) : 2.4kg
	Titanium Blue Sleeve (STB) : 1T0A-523-5U80B		(SC) : 2.3kg
	Carbon Sleeve (SC) : 1T0A-523-5U90		

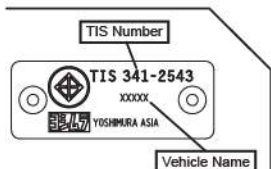
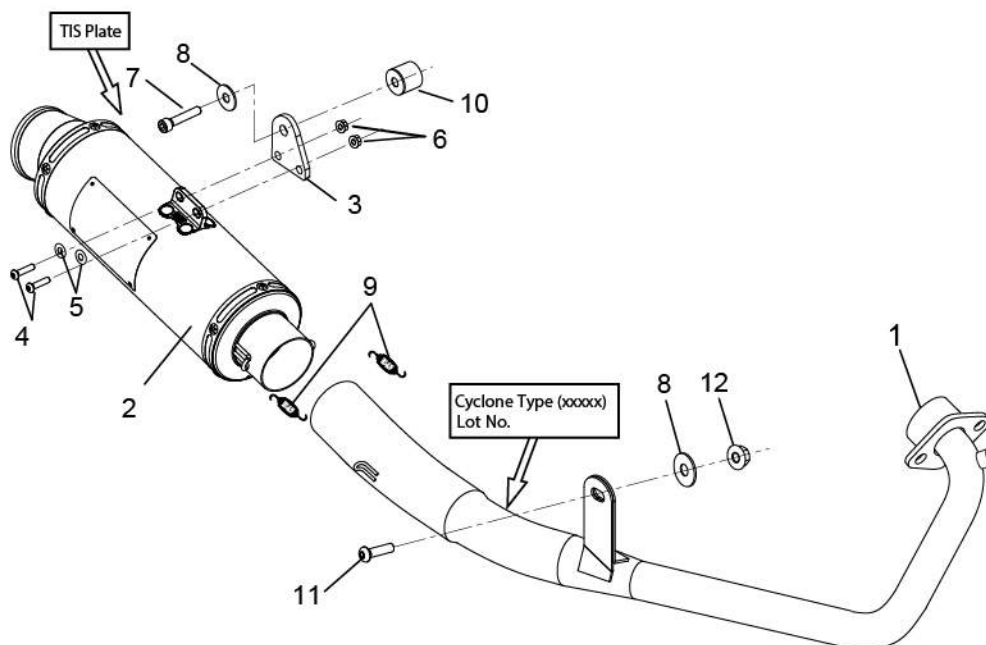
### 2. Applicable Model :

Model	SUZUKI GSX-R150/S150
-------	----------------------

### 3. Contents:

No.	Descriptions	Part No.	Q'ty	No.	Descriptions	Part No.	Q'ty
1	Exhaust Pipe	1T1-523-5100	1	6	Flange Nut M6	823-006-1000	2
2	Silencer Assy Stainless Sleeve	1T6-523-5U50	1	7	Cap Bolt M8x45	800-208-5045	1
	Silencer Assy Satin Finish Sleeve	1T6-523-5U30		8	Washer M8x26	812-108-2600	2
	Silencer Assy Titanium Sleeve	1T6-523-5U80		9	Exhaust Spring	118-001-0000	2
	Silencer Assy Titanium Blue Sleeve	1T6-523-5U80B		10	Spacer 8-26-10	850-008-2610	1
	Silencer Assy Carbon Sleeve	1T6-523-5U90		11	Button Bolt M8x35	803-208-5035	1
3	Silencer Bracket	161-523-0200	1	12	Flange Nut M8	823-008-1250	1
4	Button Bolt M6x20	803-206-4020	2	※	Spring Puller Tool	100-000-0000	1
5	Washer M6x13	812-206-1310	2				

### Parts Diagram



#### 4. Installation steps:

- 1) Check all the component parts are in hand.
- 2) According to SUZUKI service manual, remove side and under fairings.  
\*GSX-S150 is required only under faring removing.\*
- 3) Disconnect O2 sensor coupler. Then, remove stock exhaust system from vehicle (See Fig. 1 & 2).

**! CAUTION** When removing stock exhaust system, be careful not to damage frame and other components.

**REFERENCE** Stock bolts and washer removed at this stage are reused when mounting Yoshimura exhaust system.

- 4) Remove O2 sensor from stock exhaust system. Then, install it to Exhaust Pipe and tighten with stated torque (See Fig. 3).

**Tightening Torque** O2 sensor : 25Nm

**! CAUTION** Torque specification must be followed.

- 5) Insert SUZUKI genuine new exhaust gasket on exhaust port. Then, insert Exhaust Pipe into exhaust port and fix it with stock bolts (See Fig. 4 & 5). Tighten bolts by hand only at this stage.

**! CAUTION** Use SUZUKI genuine new gasket.

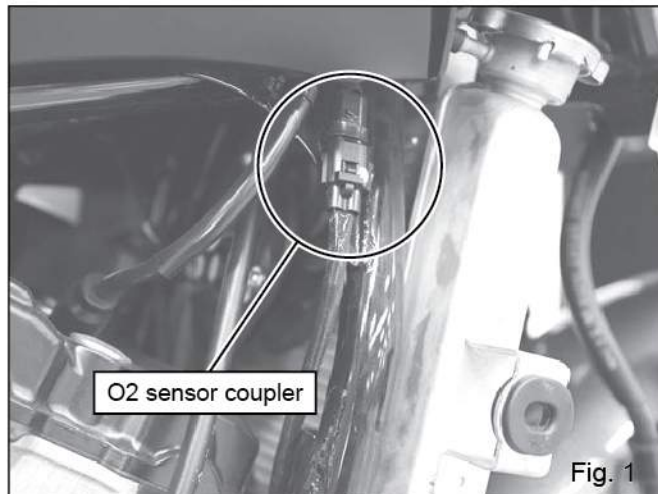


Fig. 1

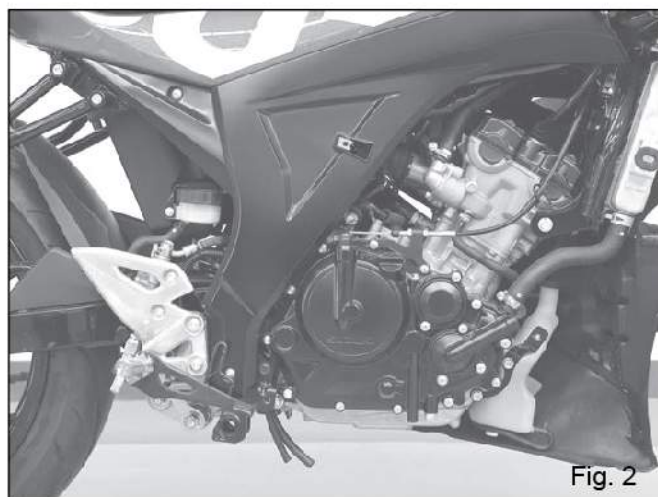


Fig. 2

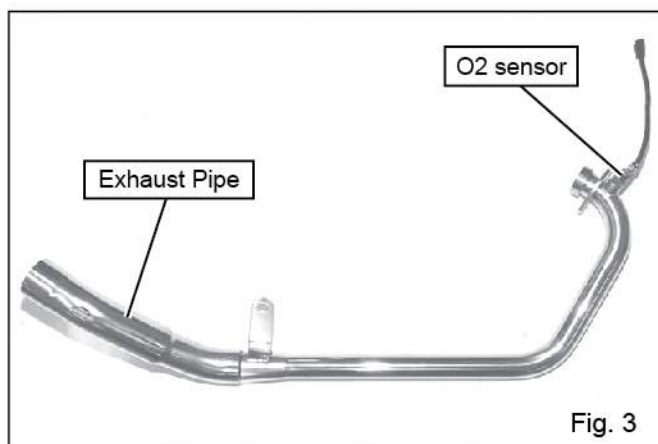


Fig. 3

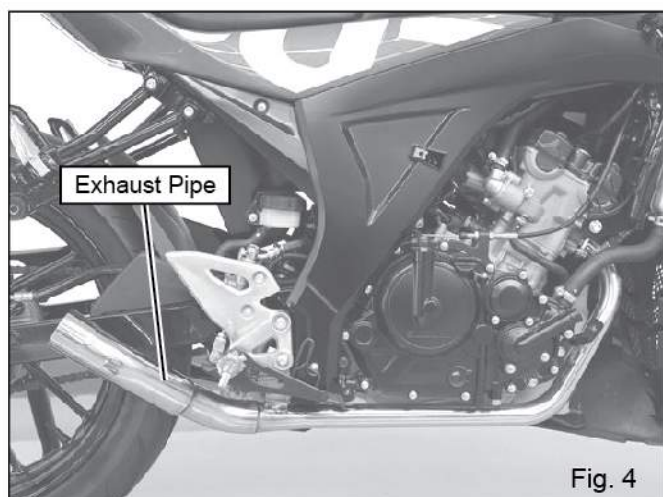


Fig. 4

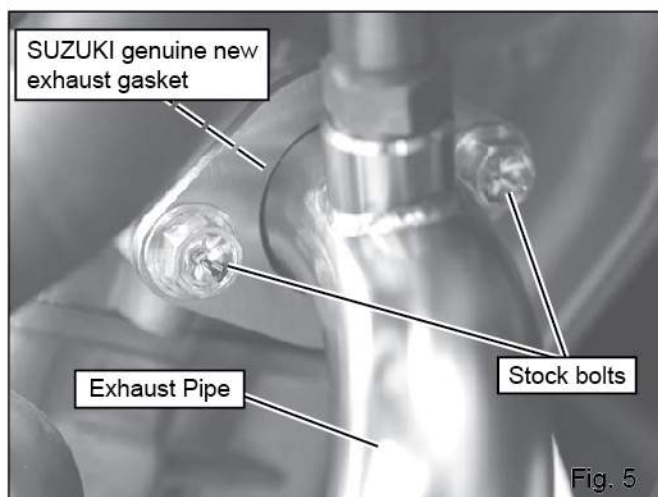


Fig. 5

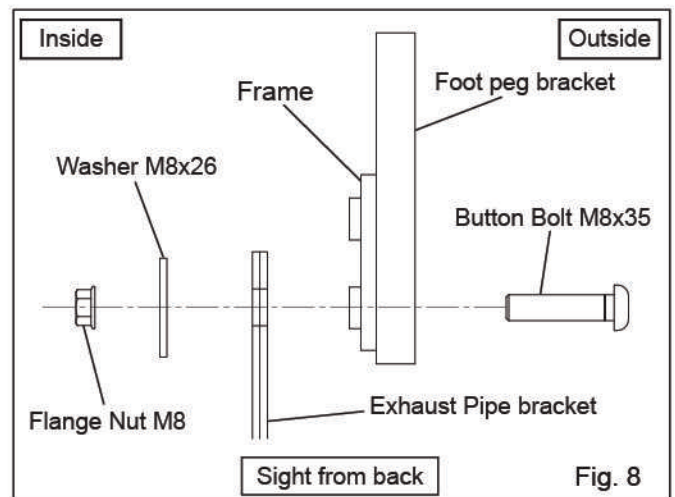
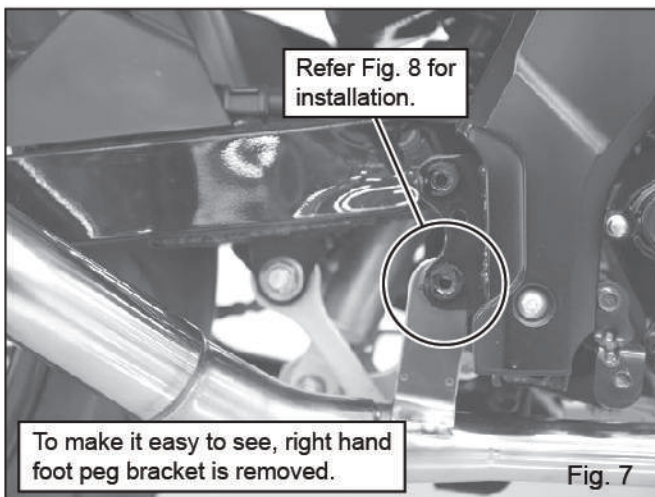
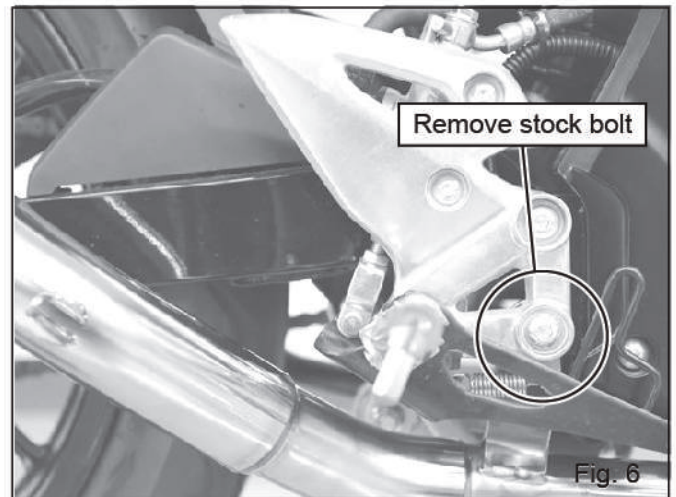


- 6) Remove stock bolt on right hand foot peg bracket at the bottom one, and replace it with Button Bolt M8x35 and tighten with stated torque.  
Then, mount Exhaust Pipe bracket to back of foot peg bracket using Washer M8x26 and Flange Nut M8 (See Fig 6, 7 & 8). Tighten the nut by hand only at this stage.

**Tightening Torque**

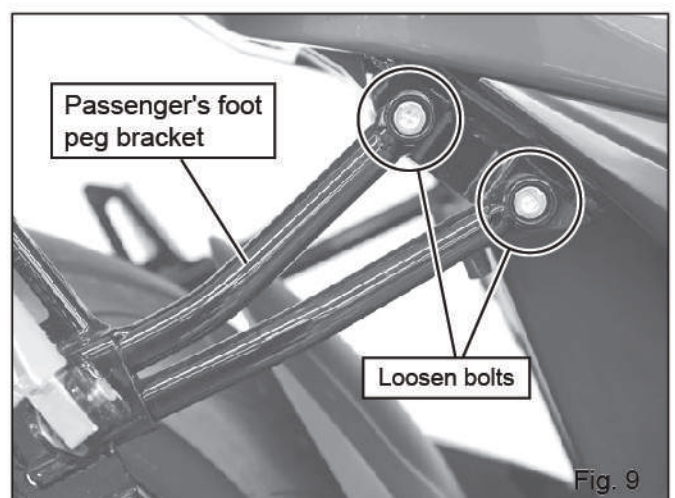
Button Bolt M8x35 : 23 Nm

**! CAUTION** Torque specification must be followed.

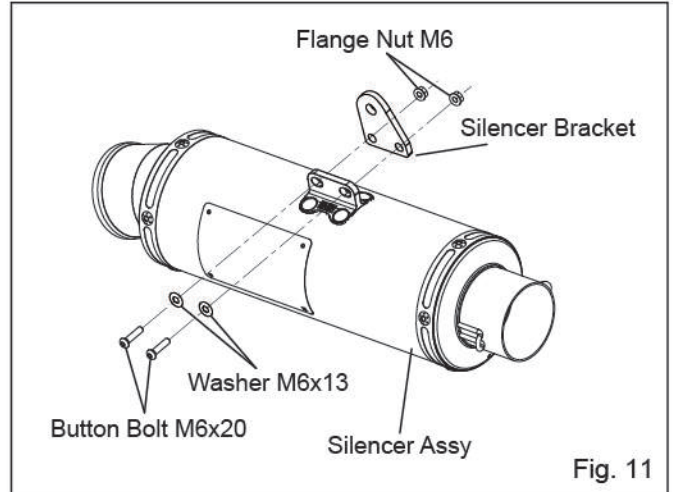
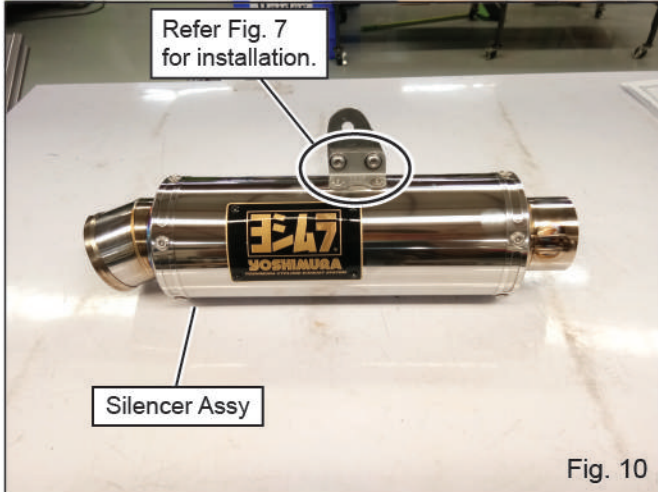


- 7) For adjusting position of silencer, loosen bolts on right hand passenger's foot peg bracket (See Fig. 9).

**REFERENCE** It is NOT necessary to take out bolts completely.

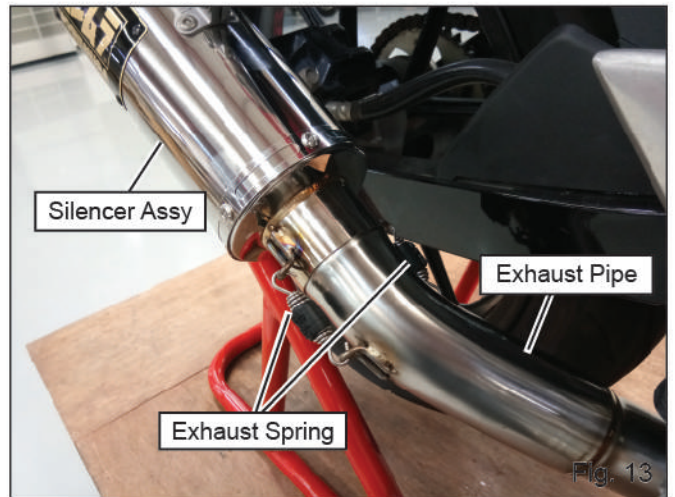
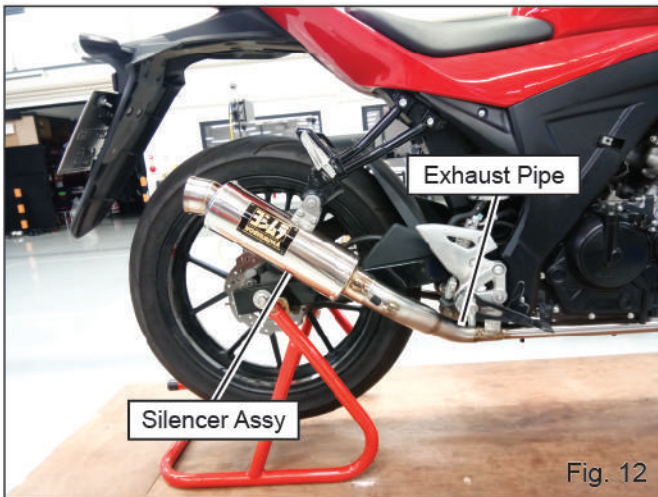


- 8) Mount Silencer Bracket on Silencer Assy with 2 of each Button Bolt M6x20, Washer M6x13 and Flange Nut M6 (See Fig. 10 & 11). Tighten bolts by hand only at this stage.

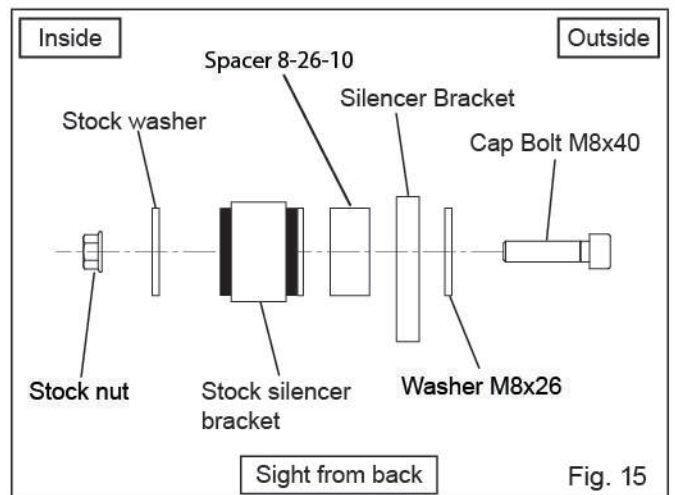


- 9) Install Silencer Assy to Exhaust Pipe. Then, fix them with 2 of Exhaust Spring (See Fig. 12 & 13).

**CAUTION** Make sure that exhaust spring is hooked to spring installation tool firmly. If neglected, it may cause injury.



- 10) Then, mount Silencer Bracket to stock silencer bracket with Cap Bolt M8x45, Washer M8x26, stock washer and nut (See Fig. 14 & 15). Tighten bolt by hand only at this stage.



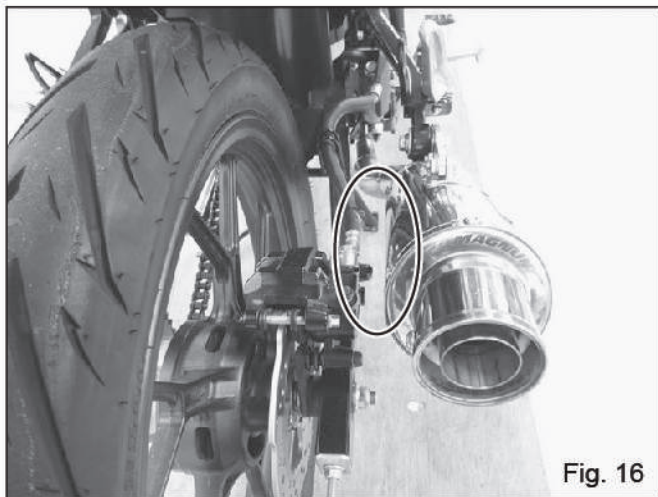


- 11) Check that there are proper clearances between Yoshimura exhaust system and other components. Then, tighten and torque stock bolts on Flange, Button Bolt M6x20 and Cap Bolt M8x45 in order (See Fig. 16 & 17).

**Tightening Torque**

Stock bolts (Exhaust Pipe: exhaust port)	: 15 Nm
Cap Bolt M8x45 (Silencer Bracket)	: 23 Nm
Button Bolt M6x20 (Silencer Bracket)	: 10 Nm
Button Bolt M8x35 ( Exhaust Pipe : right hand foot peg bracket )	: 23Nm
Stock bolt ( Passenger 's foot peg bracket )	: 23Nm
Stock bolt ( Silencer Band )	: 23Nm

**! CAUTION** Torque specification must be followed.



- 12) Reconnect O2 sensor coupler.
- 13) Make sure there are proper clearances between Yoshimura exhaust system and other components. In case there is not enough clearance, loosen bolts and readjust the position of Yoshimura exhaust system.
- 14) It is recommended that whole Yoshimura exhaust system is wiped down with dish soap to remove oil and fingerprints. This will prevent tarnishing of finish after the exhaust system is heated up.

**! CAUTION** When cleaning silencer, use soft cloth with dish soap. Do not use metal polish or parts cleaner neglect, the paint of Emblem may come off or Titanium Blue color may tarnish.

- 15) Warm-up engine, and inspect the exhaust leakage. Tighten all bolts further after engine is cooled down.

**! CAUTION** Before beginning the work, let motorcycle cool down.

**REFERENCE** It is normal for new silencer to smoke until inside oil residue burns off.

- 16) Re-mount side and under fairings.



**! CAUTION**

After the engine is off at first time. There will be smoke out the end of the exhaust and The smoke will gradually reduce untill the depleted when the engine is off in the next. This smoke is normal with new exhaust (No problem).

**! CAUTION**

Titanium Blue sleeve is colored by anodizing. Handle with care as the color may change. When cleaning silencer, use soft cloth with dish soap but do not use metal polish or chemical cleaner.

**! CAUTION**

This exhaust is produced for street use only. In case that it is used on race circuit or tested on chassis dynameter, any damage or carbon discoloration is not included in warranty.

**REFERENCE**

Yoshimura Asia recommends silencer inner wool replacement every 5,000km (3,000miles) in order to get Yoshimura exhaust performance fully. Climate, riding condition, and frequency of ride are direct contributing factors for inner wool worn out. Keeping high engine revolution also promotes further wool consumption. For silencer repairing, please contact local Yoshimura distributor for further information.

**- CAUTIONS AFTER INSTALLATION -**

- ⊙ Check each bolt sometimes to see that there is no failure condition such as poor tightening.
- ⊙ Quality control is implemented on all products. If, however, any defect or failure is found, please notify Yoshimura Asia through the selling dealer. Necessary technical service or replacing of the product will be made.
- ⊙ Due to improvement, the specifications and price of the product are subject to change without notice.
- ⊙ For any information regarding this product, please address inquiries to Yoshimura Asia Co., Ltd.

Yoshimura Asia Co., Ltd.

118/3 Moo 18, KLONGNUENG, KLONGLUANG, PATHUMTHANI 12120, THAILAND

Web site: <http://www.yoshimura.asia>